

SKYLARK SERIES

**LOW-POWER GROW LIGHT
BROCHURE**

SANANBIO
Vertical Farming | Horticultural Lighting

SKYLARK^{SERIES}

Low-power grow light for vertical farming

Designed for indoor vertical farming, Skylark is compatible with Radix and can be mounted on other grow racks.



01

Ultra-low light-to-canopy distance

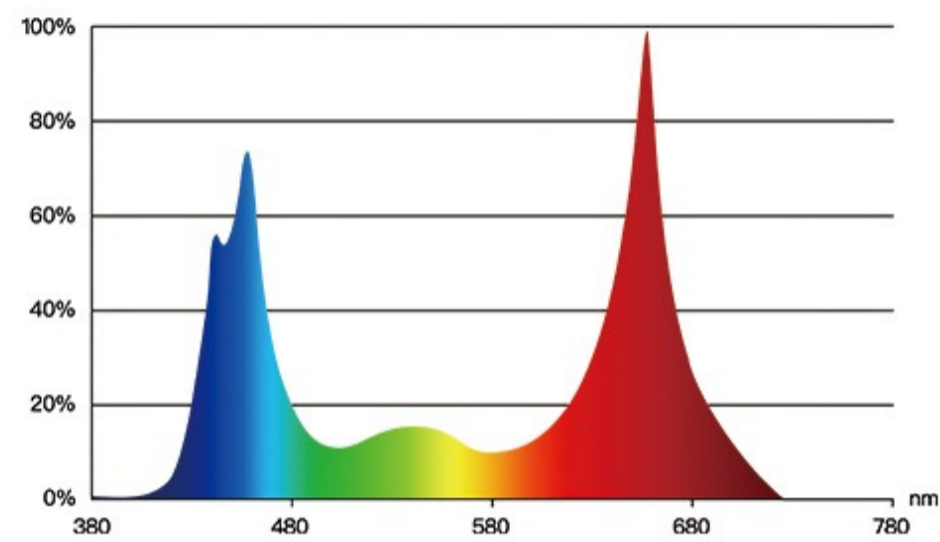
02

80 + light recipes

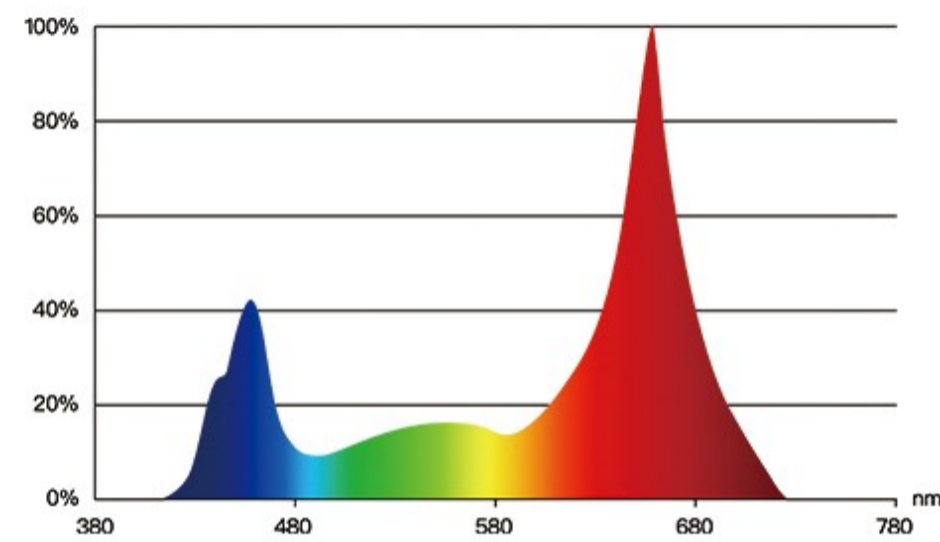
03

Compatible with Radix

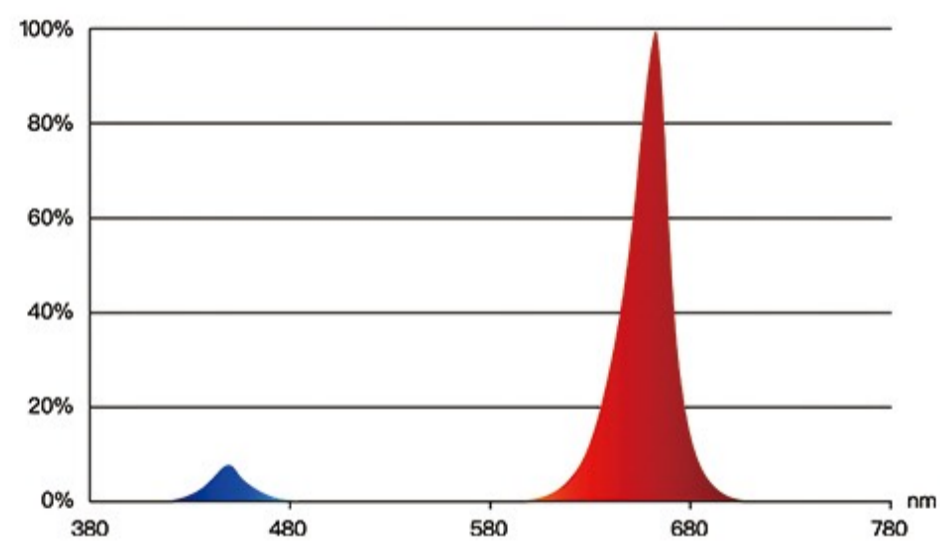
Spectrum



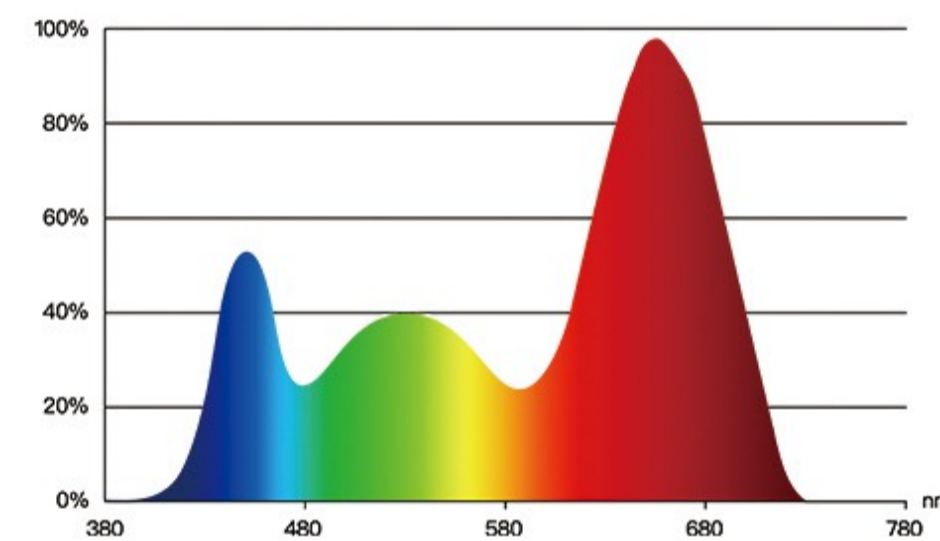
Propagation



Vegetative



Red an blue



Herb-designated



Warnings

- Please read the manual carefully, failure to follow the instructions may cause electrical hazard!
- This product must be installed by a person familiar with the construction and operation of the product and the hazards involved, in accordance with the applicable installation code.
- Comply with local laws and regulations.
- This fixture is not designed to hold any load other than it's designed accessories. Please, refrain from adding any loads to prevent mechanical hazard.
- Avoid hitting, bending or causing mechanical stress to the light fixture.
- Do not stare at the light fixture without vision protection.
- Do not cover or block any part of the light fixture during operation.
- The light source and the driver contained in this luminaire shall only be replaced by the manufacturer or his service agent or a similar qualified person.
- If the external flexible cable or cord of this luminaire is damaged, it shall be exclusively replaced by the manufacturer or his service agent or a similar qualified person in order to avoid a hazard.

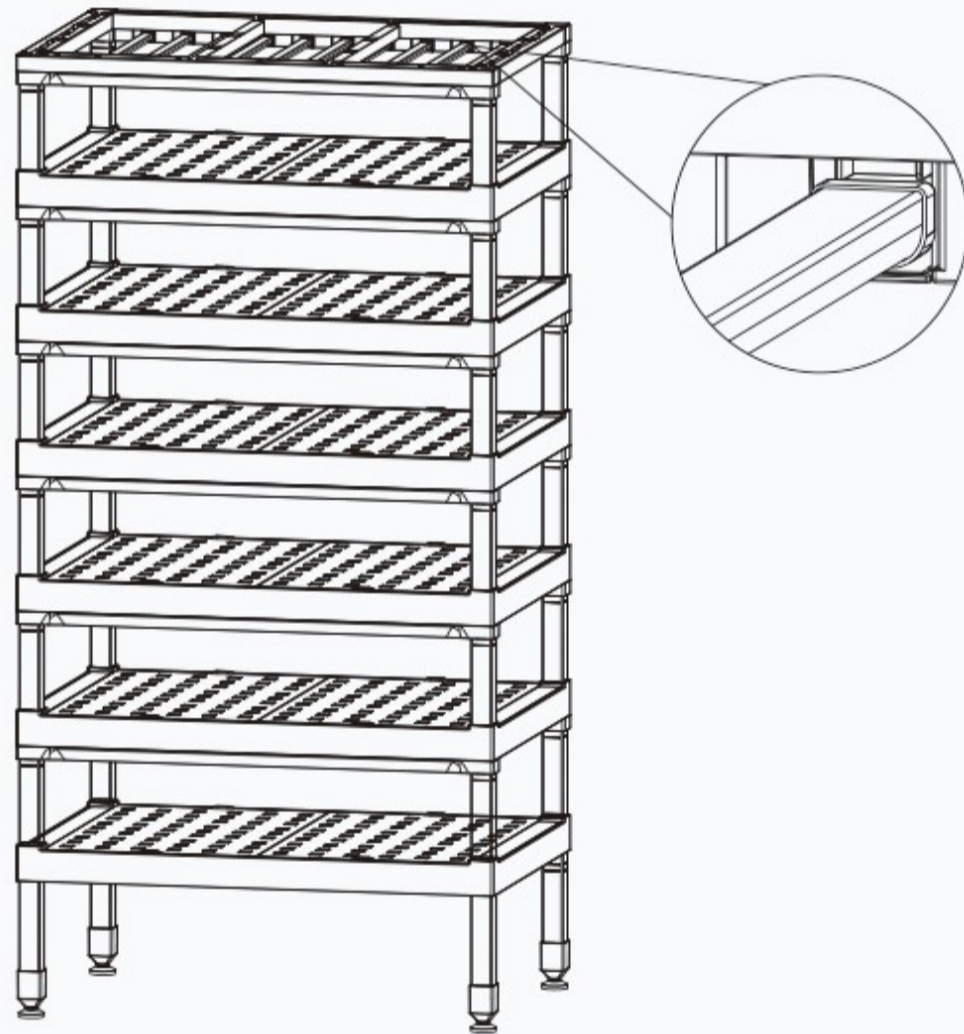
Warnings

- This product is IP65 and suitable for wet locations.
- Please keep this user manual for future reference as it contains important information.
- Consult local sale representatives if any questions.

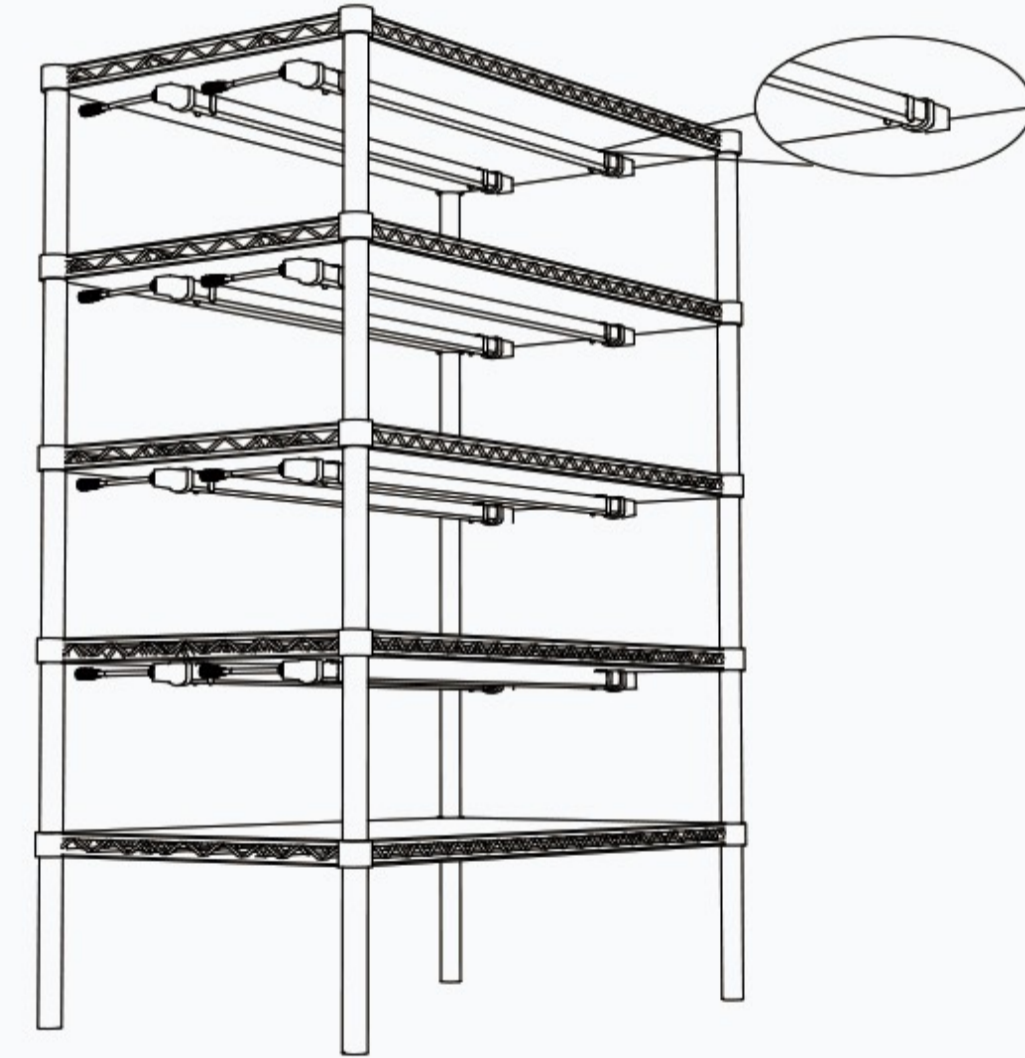


Prior to powering fixture on, ensure all electrical connectors are secure. Disconnect power immediately in the event of partial outage of light emitting panel.

Mounting Instruction

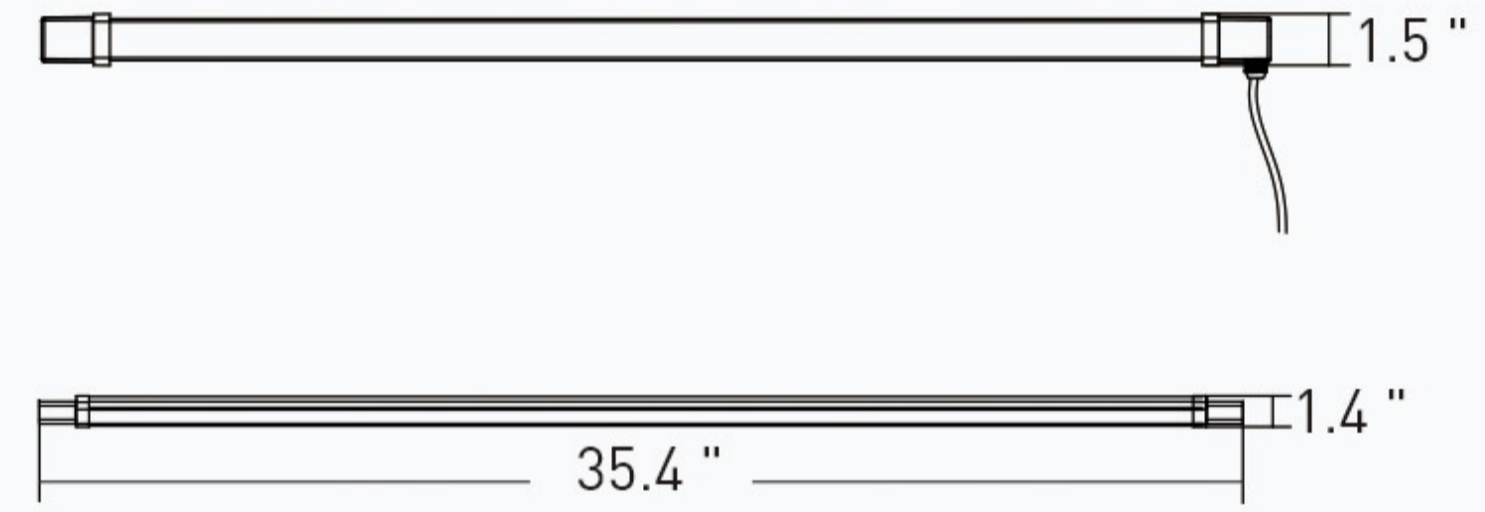
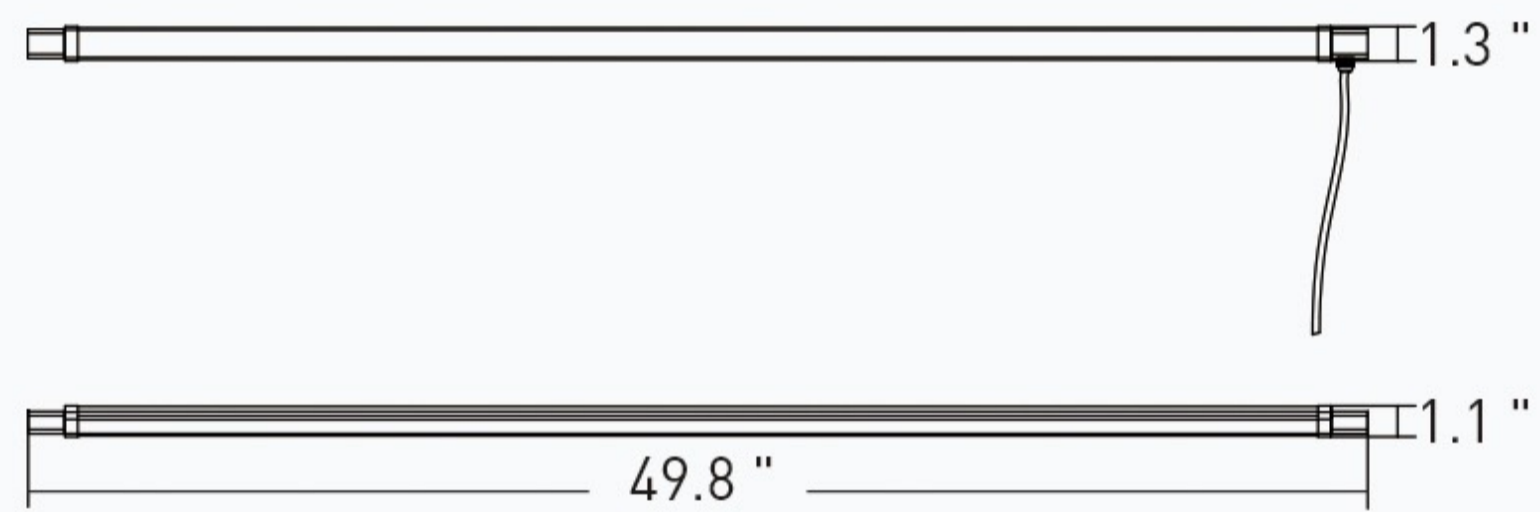


1. Mount a Skylark in a Radix with no extra accessories needed. All cables and connectors will be concealed in the grow bed.

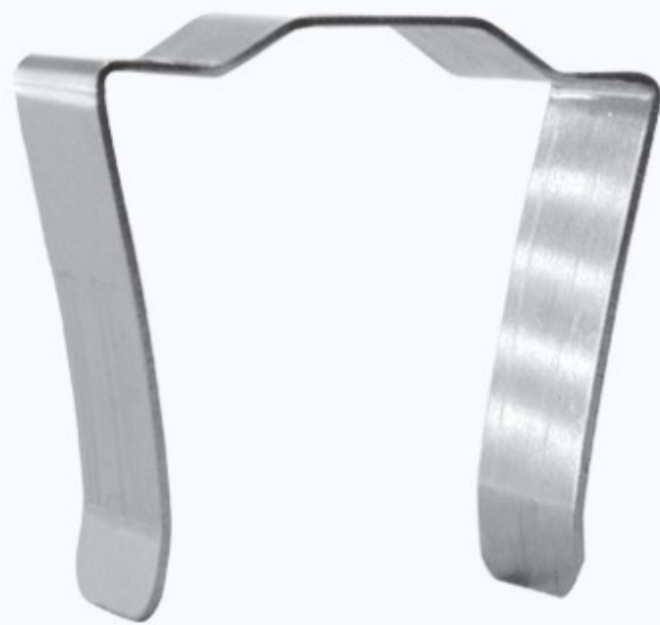


2. Mount a Skylark in other grow racks with mounting clips.

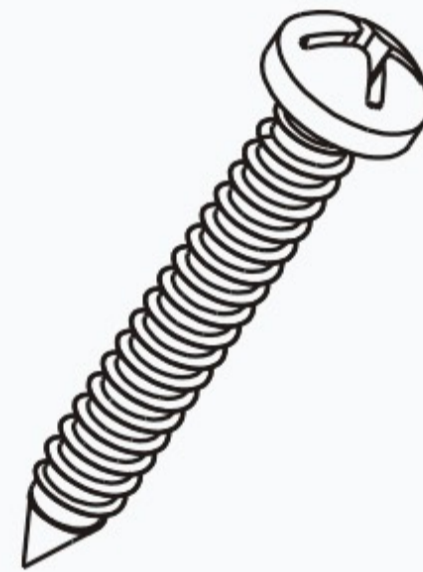
Dimension



Accessories



1. Mounting clip: For mounting.



2. Screw: For mounting.



3. Dust cap: For capping off an exposed connector.

Specifications

Product Name	Skylark (US)		Skylark (EU/AUS)			
Models	ZK2-TB12-GE03/A	ZK2-TB14-VE03/A	ZK3-TB12-GE03/A	ZK3-TB14-VE03/A	ZK3-TB15-GE02/A	ZK3-TB18-VE02/A
Power	11.5 W	13.5 W	11.5 W	13.5 W	15 W	18 W
PPF	>24 $\mu\text{mol/s}$	>28.5 $\mu\text{mol/s}$	>24 $\mu\text{mol/s}$	>28.5 $\mu\text{mol/s}$	>32 $\mu\text{mol/s}$	>38 $\mu\text{mol/s}$
Efficacy	>2.1 $\mu\text{mol/J}$	>2.1 $\mu\text{mol/J}$	>2.1 $\mu\text{mol/J}$	>2.1 $\mu\text{mol/J}$	>2.1 $\mu\text{mol/J}$	>2.1 $\mu\text{mol/J}$
Voltage	100-277 VAC		220-240 VAC			
Power Factor	>0.9		>0.9			
Frequency	50/60 Hz		50/60 Hz			
Beam Angle	115°		115°			
Light-to-Canopy Distance	5.9 "-19.7 "		5.9 "-19.7 "			
Heat Dissipation	passive		passive			
Operating Ambient Temperature	-4~104 °F		-4~104 °F			
Life Time	≥ 50000 hrs		≥ 50000 hrs			
IP Rating	IP 65		IP 65			
Certification	ETL/FCC		CE/CCC/KC			
Warranty	3 years (extensible to 5 years with extra subscription)		3 years (extensible to 5 years with extra subscription)			
Dimension	L35.4 " * W1.5 " * H1.4 "		L35.4 " * W1.5 " * H1.4 "		L49.8 " * W1.3 " * H1.1 "	
Weight	0.59 lbs		0.59 lbs		0.67 lbs	

Check out sananbio.com for more information.



SANANBIO is a diverse group of growers, engineers, scientists, designers, and business professionals working to build a sustainable and resilient global food system. We are empowering growers globally with cutting-edge indoor vertical farming and horticultural lighting technologies that allow them to meet local and global market demand for essential agricultural products. Our team of controlled environment agriculture (CEA) experts in conjunction with our industry leading technology, creates unmatched value. We are creating the STANDARD in indoor vertical farming and horticultural lighting. We solve complex problems to build you simple solutions.

Check out sananbio.com for more information.

GLOBAL PHOTOBIOTECH SUPPLIER



FUJIAN SANAN SINO-SCIENCE PHOTOBIOTECH CO., LTD.

W sananbio.com
E sales@sananbio.com
T 0592-5976366